

KI-485 Adaptor Installation Sheet

1 Introduction

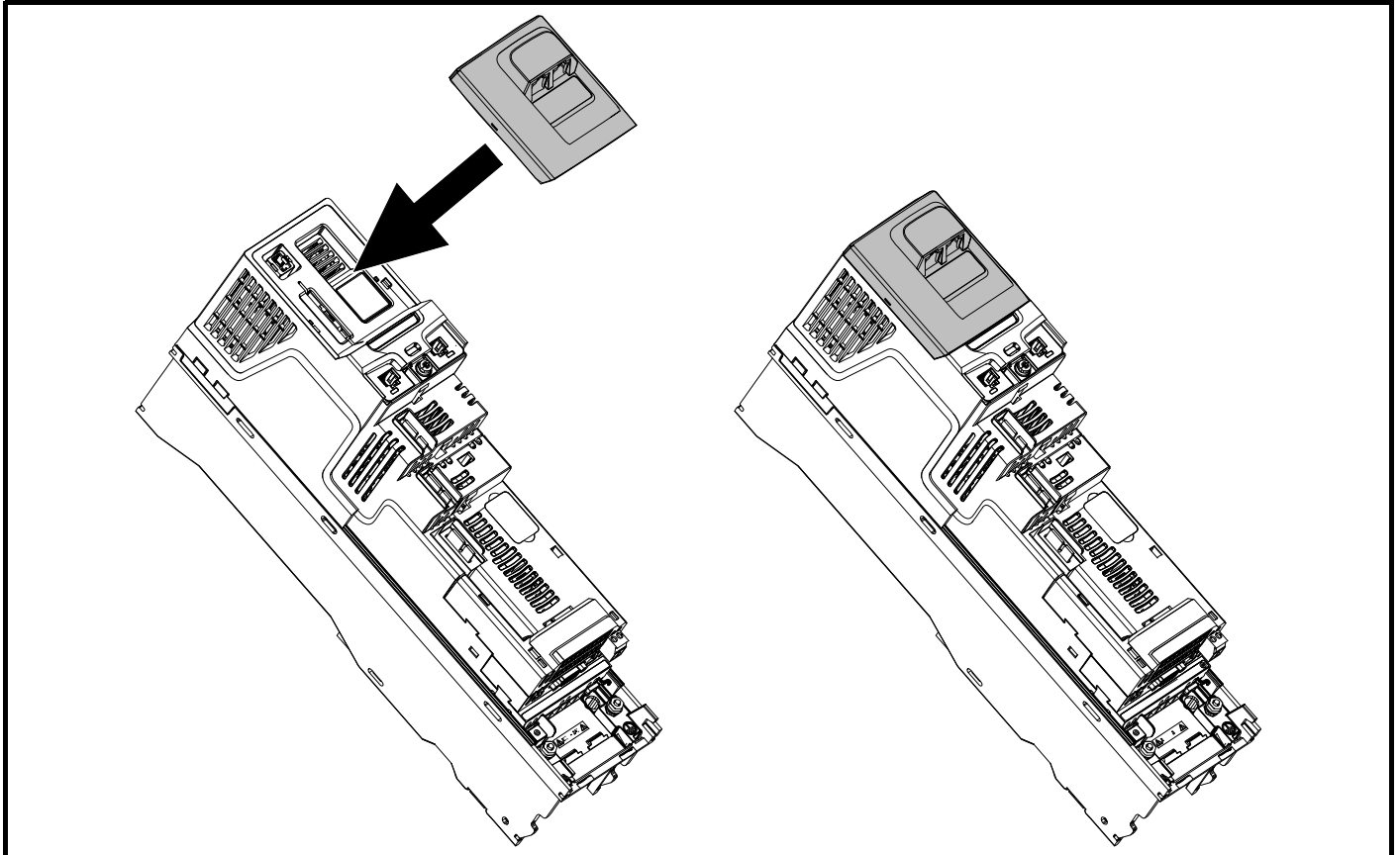
The KI-485 Adaptor provides two parallel RJ45 connectors allowing easy daisy chaining for 485 communications. This is supported on *Unidrive M600* to *Unidrive M800* product family.



WARNING

The KI-485 Adaptor is intended for use only when attached to the drive in the manner shown in this installation sheet. Operation in any other fashion may cause a hazard, and invalidates the warranty.

2 Installation and removal of the KI-485 Adaptor



To install, align the KI-485 Adaptor and press gently in the direction shown until it clicks into position. To remove, reverse the installation instructions.

NOTE

The KI-485 Adaptor can be installed / removed while the drive is powered up and running a motor, providing a remote keypad is not connected to a port on the KI-485 Adaptor and operating in keypad mode.

3 Technical specification

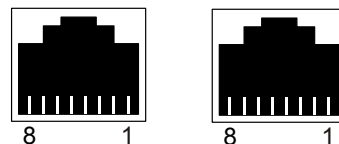
Node Address: 1 - 16

Keypad Port Serial Address (11.090) defines the node address for the KI-485 Adaptor.

Baud Rate: 115200 kbps

Serial Mode: 8 bits, 1 stop bit, no parity, modified register addressing mode.

Pin-outs



Pin	Function
1	120 Ω Termination resistor
2	RX TX
3	0 V
4	+24 V (100 mA)
5	Not connected
6	TX enable
7	RX\ TX\
8	RX\ TX\ (if termination resistors are required, link to pin 1)



0478-0102-01